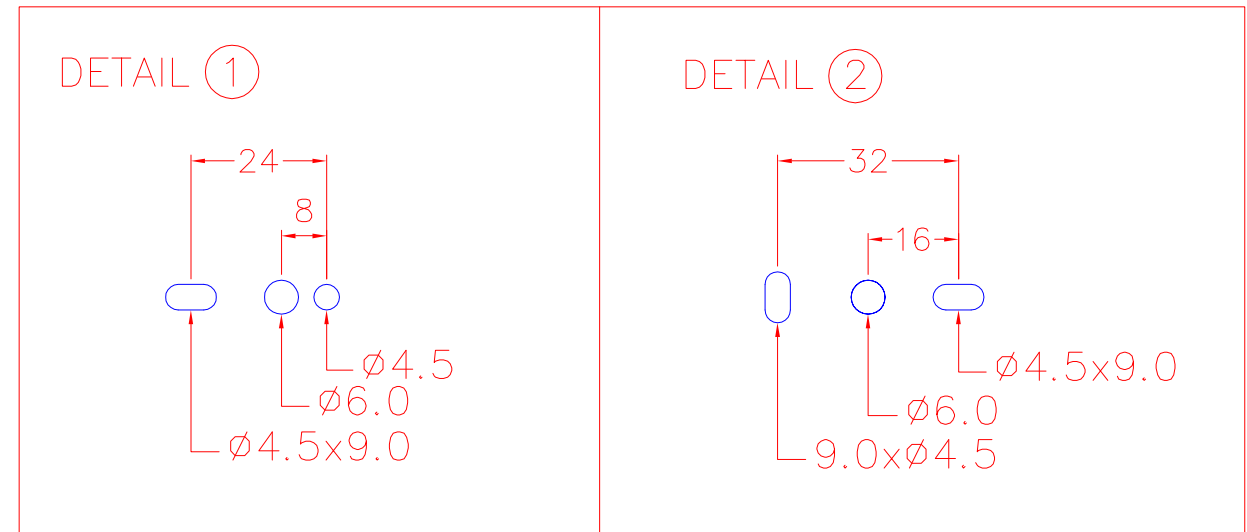
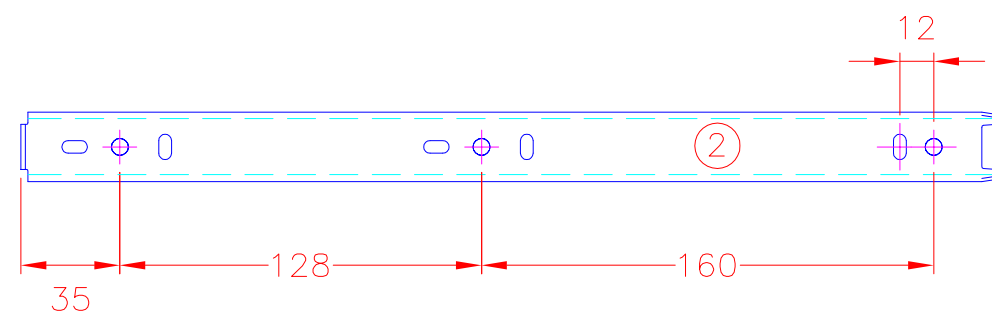
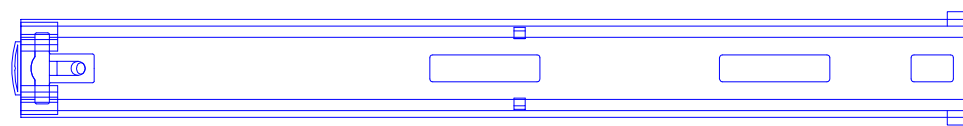
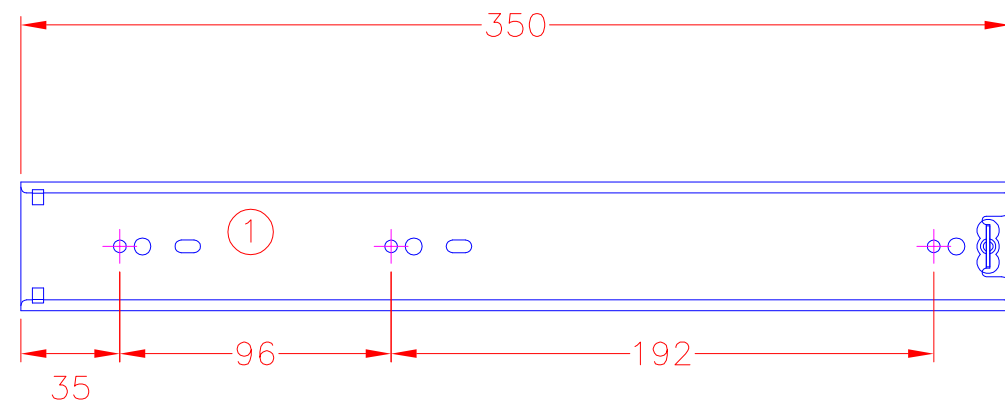
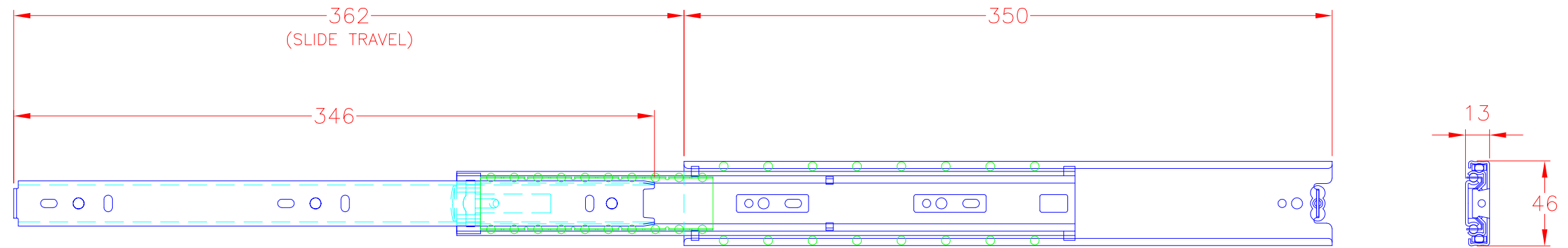


350mm DRAWER RUNNER



NOTE
 HOLE CENTRES TO BE CONFIRMED BY US.
 DO NOT DRILL ANY FIXING HOLES TO MATCH
 DRAWER SLIDES UNTIL WE HAVE CONFIRMED
 DIMENSIONS.

PART No: JS DR09