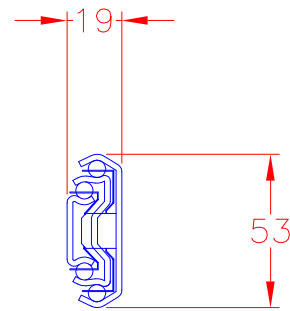
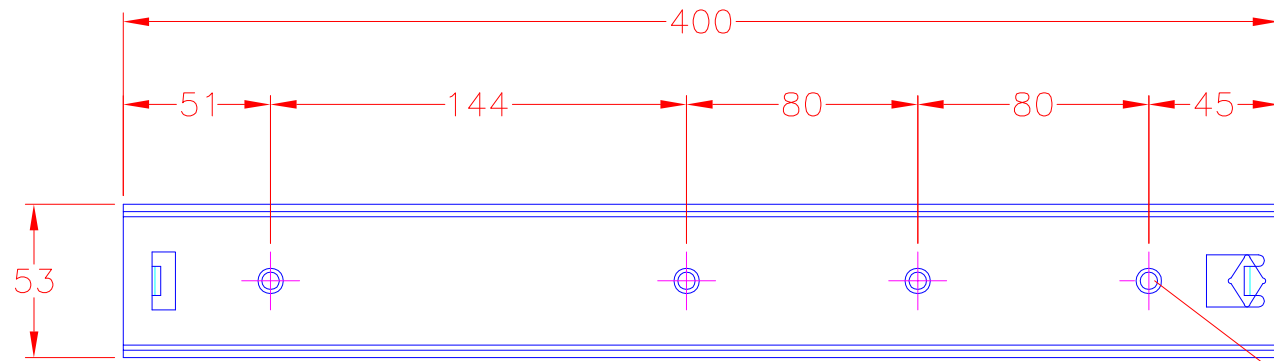
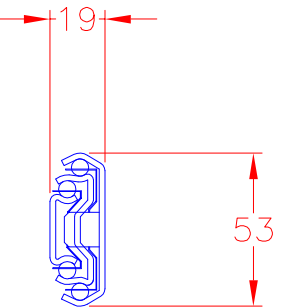
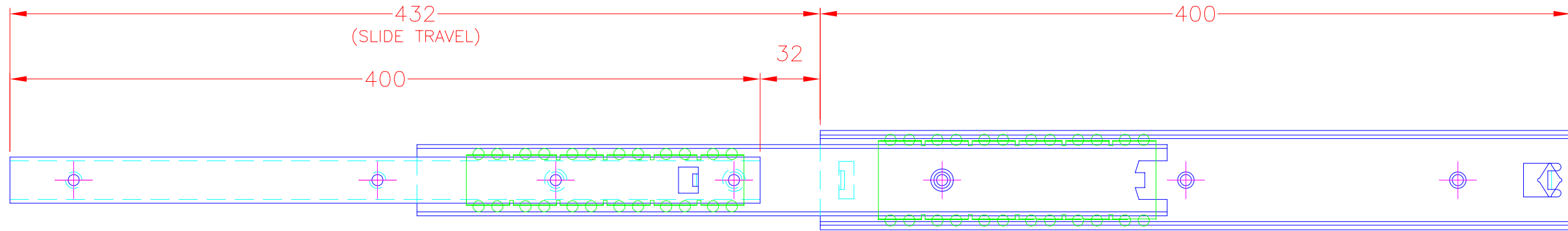
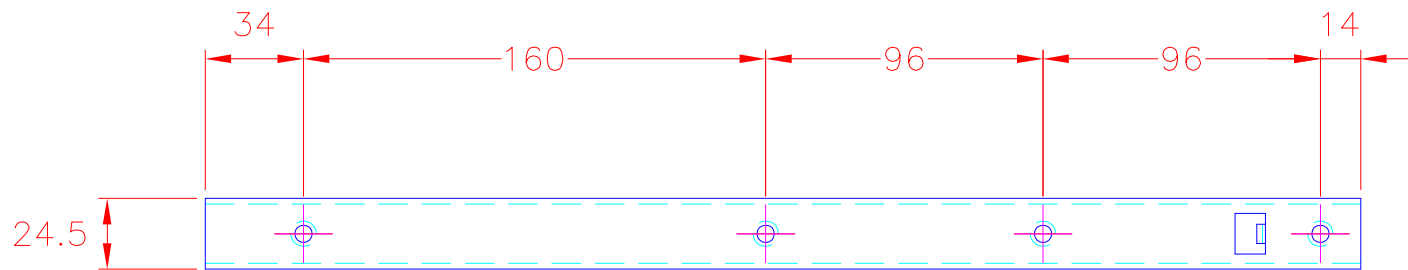
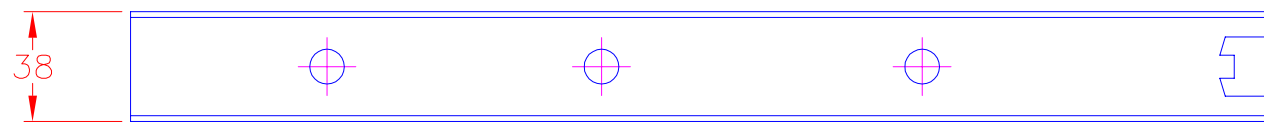


400mm DRAWER RUNNER



ALL HOLES $\varnothing 6.5\text{mm}$ X 9.5mm CSK



NOTE
HOLE CENTRES TO BE CONFIRMED BY US.
DO NOT DRILL ANY FIXING HOLES TO MATCH
DRAWER SLIDES UNTIL WE HAVE CONFIRMED
DIMENSIONS.

304 GRADE STAINLESS STEEL
LOAD RATING (PER PAIR): 108kg

PART No: JS DR03