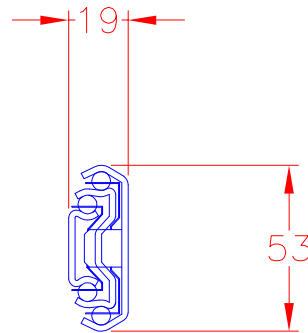
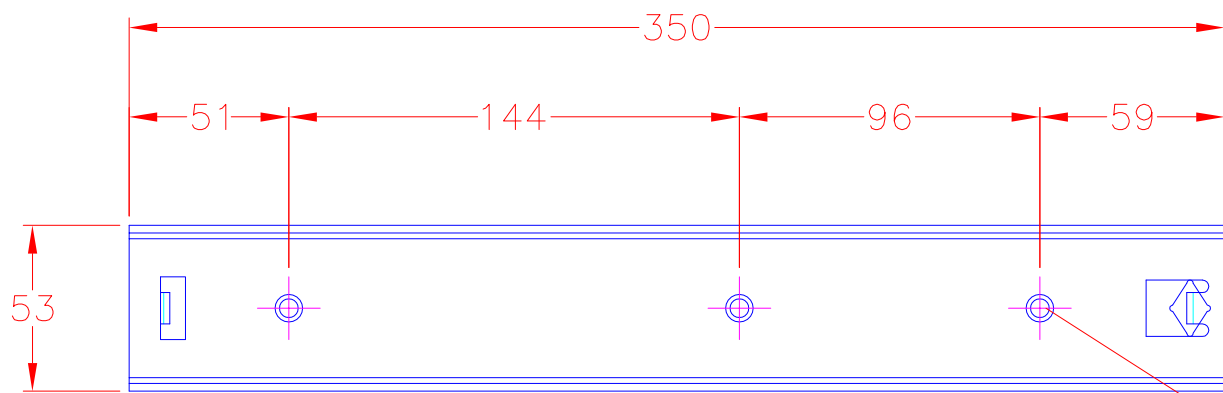
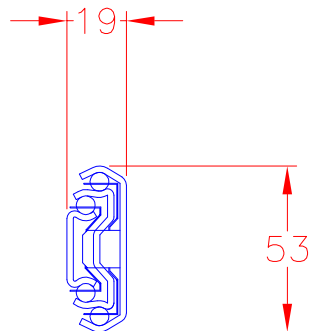
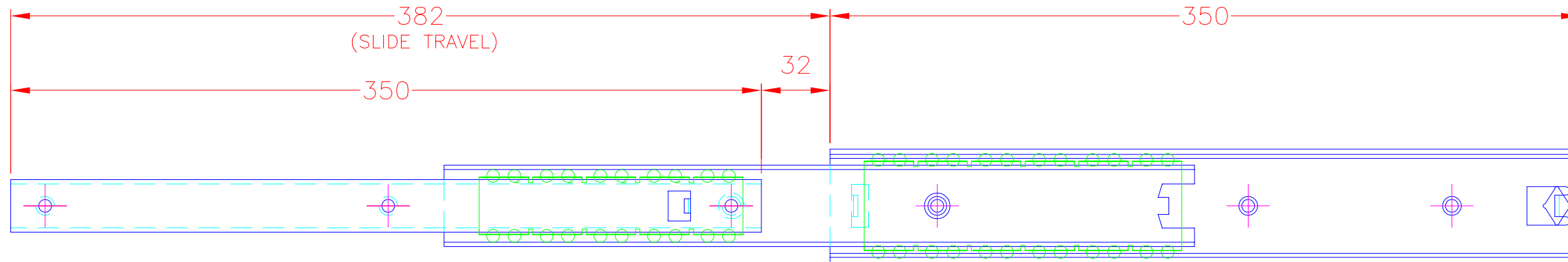
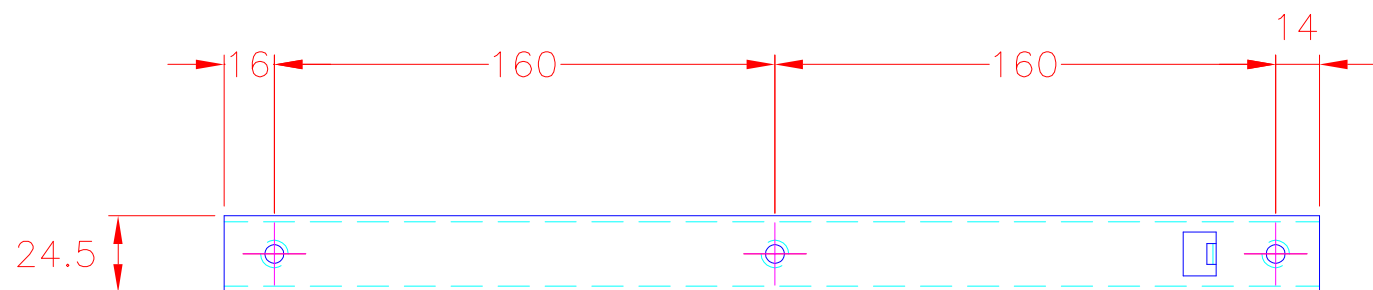
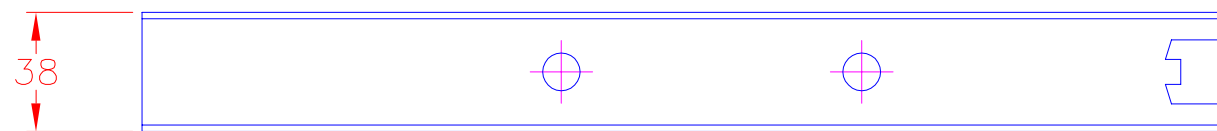


350mm DRAWER RUNNER



NOTE
HOLE CENTRES TO BE CONFIRMED BY US.
DO NOT DRILL ANY FIXING HOLES TO MATCH
DRAWER SLIDES UNTIL WE HAVE CONFIRMED
DIMENSIONS.

ALL HOLES $\varnothing 6.5\text{mm}$ X 9.5mm CSK



304 GRADE STAINLESS STEEL
LOAD RATING (PER PAIR): 119kg

PART No: JSDR02