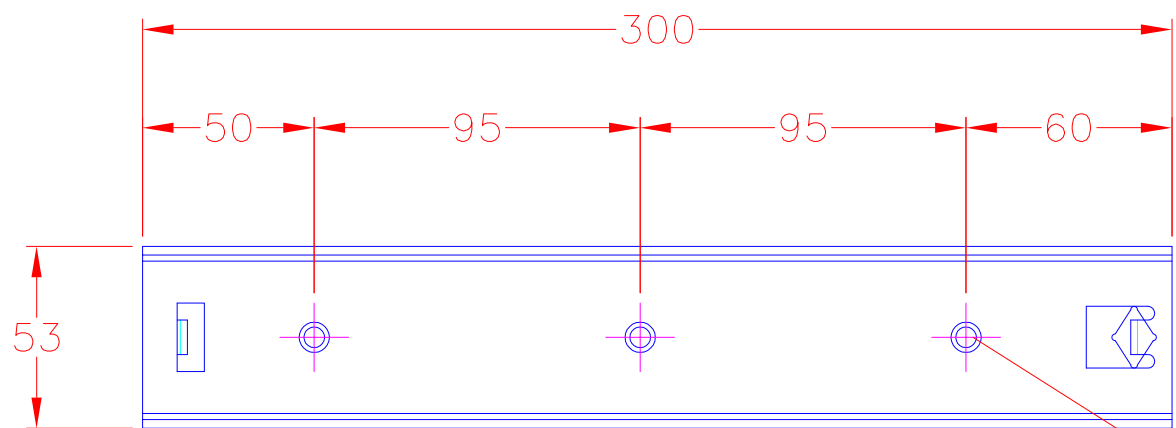
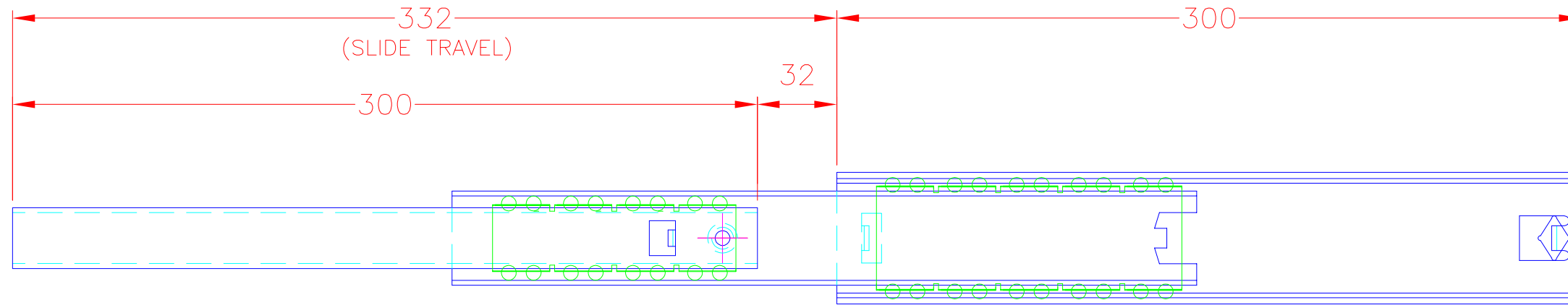
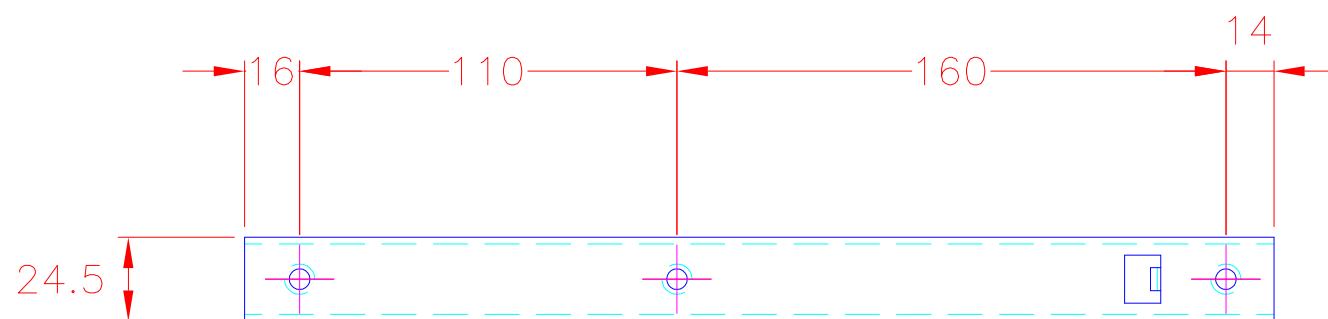
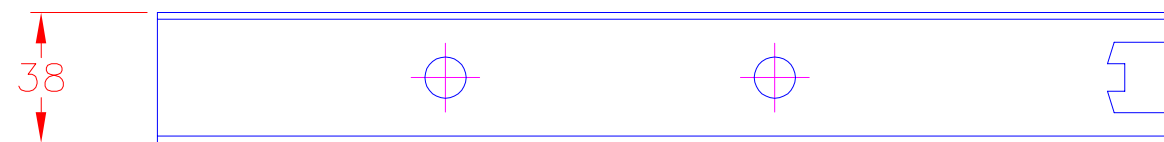


# 300mm DRAWER RUNNER



NOTE  
HOLE CENTRES TO BE CONFIRMED BY US.  
DO NOT DRILL ANY FIXING HOLES TO MATCH  
DRAWER SLIDES UNTIL WE HAVE CONFIRMED  
DIMENSIONS.

ALL HOLES  $\varnothing 6.5\text{mm}$  X 9.5mm CSK



304 GRADE STAINLESS STEEL  
LOAD RATING (PER PAIR): 130kg

PART No: JS DR01